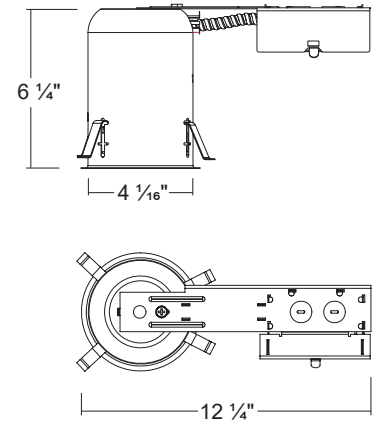


H400ICRA

4" IC Air-Tight Incandescent Remodel Housing (Max. 50W)



Dimensions



ORDERING INFORMATION

Model No.	Description
H400ICRA	4" IC Air-Tight Incandescent Remodel Housing (Max. 50W)

SPECIFICATION

Junction Box

- Listed for through branch circuit wiring
- Contains one 1-1/8", six 7/8" knockouts and four Romex pryouts with strain relief

Remodel Clips

- Four Remodel clips secure housing and accommodates 1/2" and 5/8" ceiling materials.

Thermal Protector

- Self resetting thermal protector deactivates fixture if overheating occurs due to improper lamping or misapplied insulation.

Lamps

- R/Par 20, JDR16, Max 50W.
- Use JDR16 Lamp with 4" Low voltage trims

Listings

- cULus Listed for Damp Location
- cULus Listed for Feed Through
- Certified under ASTM-E283 for Air tight construction

COMPATIBLE TRIMS

T400 Smooth



- **Incandescent**
50W R / Par20

T403 Stepped Baffle



- **Incandescent**
50W R / Par20

T405 Eyeball



- **Incandescent**
50W R / Par20

T408 Albalite Shower



- **Incandescent**
50W R / Par20

T413 AT Cone Stepped Baffle



- **Incandescent**
50W R / Par20